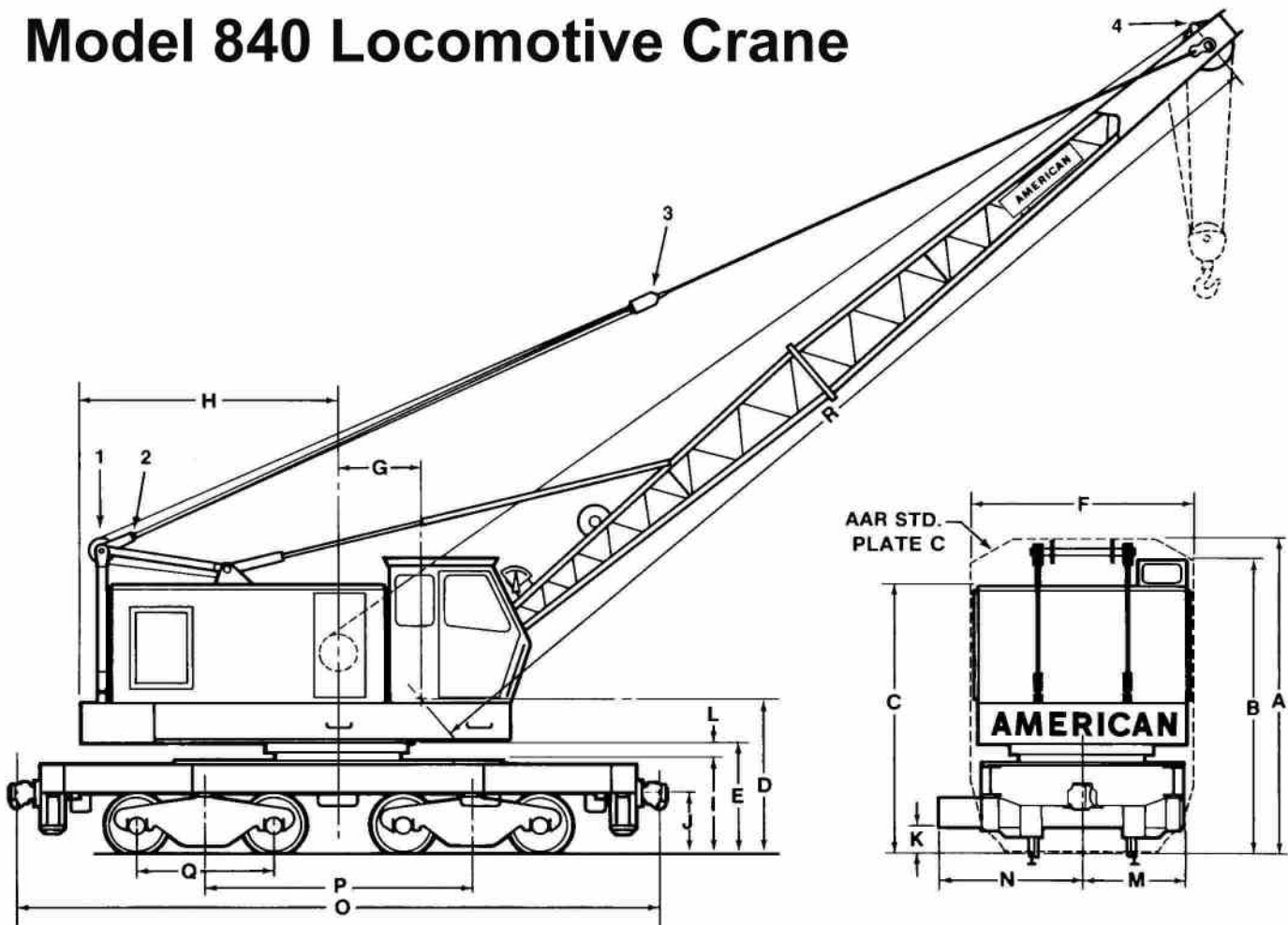


AMERICAN Model 840 Locomotive Crane



GENERAL DIMENSIONS

CRANE:

HEIGHT

A	Rails to Top of Gantry Sheaves	15' 7-3/16"
B	Rails to Top of Standard Cab	14' 5-3/16"
	Rails to Top of 5'0" Cab	19' 5-3/16"
	Rails to Top of 10'0" Cab	24' 5-3/16"
C	Rails to Top of Machinery Cab	13' 2-13/16"
D	Rails to Boom Foot	7' 6-5/16"
E	Rails to Bottom of Upper Works	5' 6-1/16"

WIDTH

F	For Travel	10'8"
G	Rotation Center to Boom Foot	4'0"
H	Tailswing	12'6"

CARBODY:

HEIGHT

I	Rails to Top	4' 7-5/16"
J	Rails to Center of Couplers	2' 9-1/2"
K	Rails to Bottom of Outriggers	1' 3-15/16"
L	Top of Carbody to Bottom of Upper Works	10-3/4"

WIDTH

M	Centerline to Retracted Outrigger	4' 11-1/4"
N	Centerline to Extended Outrigger	6' 11-3/16"

LENGTH

O	Coupler to Coupler	31'2"
P	Center of Bolster to Center of Bolster	13'0"
Q	Truck Wheel to Wheel	6'8"

BOOM SECTION:

R	Length	50'0"
---	--------	-------

SHEAVES:

	DIA.	
1	Two Sheaves	15"
2	Four Sheaves	15"
3	Four Sheaves	15"
4	Three Sheaves	30"