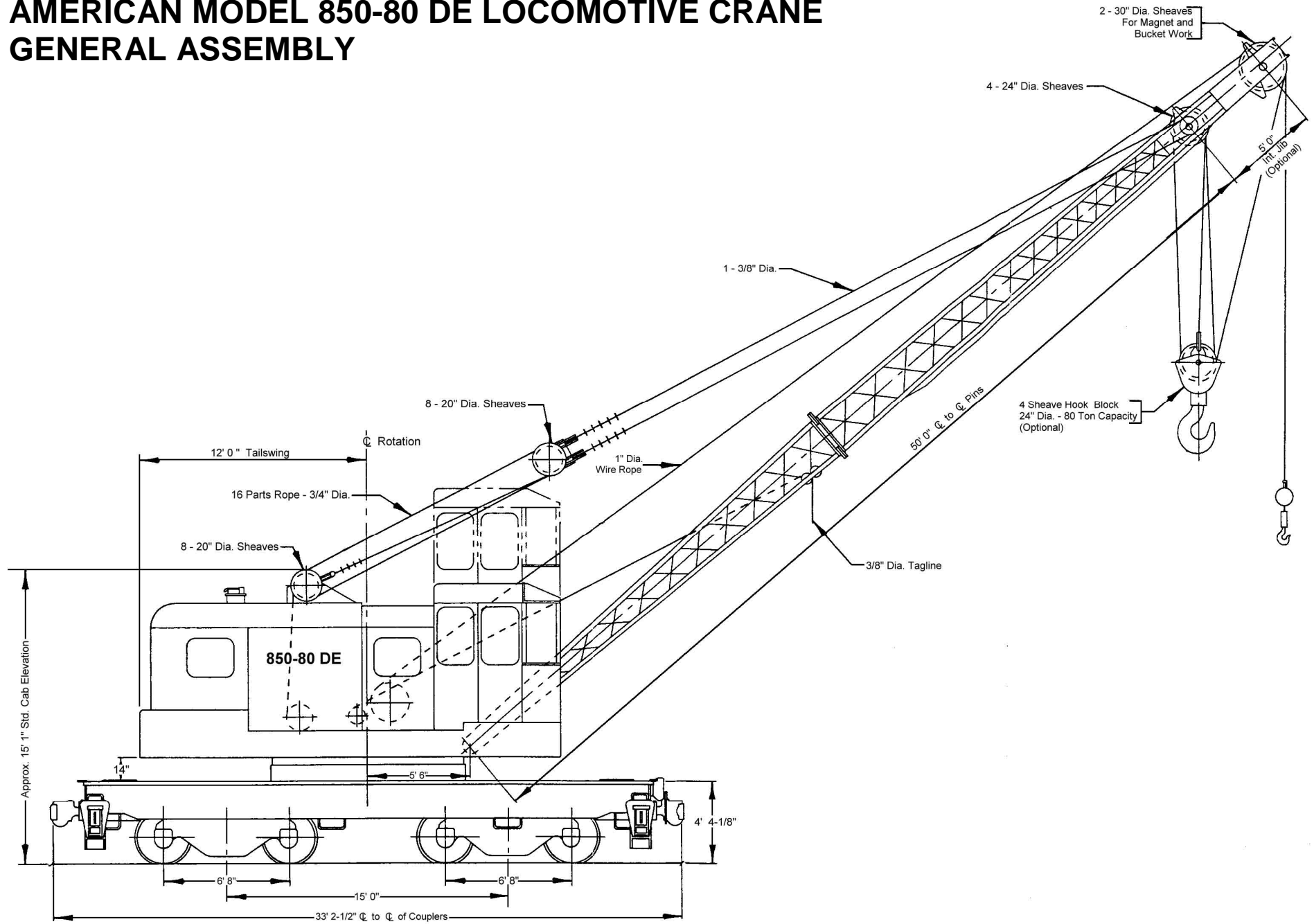


# AMERICAN MODEL 850-80 DE LOCOMOTIVE CRANE GENERAL ASSEMBLY



# CLEARANCE DIAGRAM

## 850-80 DE LOCOMOTIVE CRANE

