



**AMERICAN & OHIO LOCOMOTIVE CRANE CO. INC.**

**811 Hopley Avenue**

**P.O. Box 511**

**Bucyrus, Ohio 44820**

800-993-6446 ~ 419-562-6010 ~ Fax: 419-562-2565 ~ [www.aolcrane.com](http://www.aolcrane.com)

---

**OEM Product Support Bulletin**

**No. 44**

**DATE:** September 17, 2013 (revision date)

**SUBJECT:** BOOM HOIST WORN SHAFT ASSEMBLY RETAINER PLATE

**RATING:**

<input type="checkbox"/> <b>DIRECTIVE</b> (Action is required)	<input checked="" type="checkbox"/> <b>ALERT</b> (Safety Issue)
<input type="checkbox"/> <b>INFORMATION</b>	<input type="checkbox"/> <b>PRODUCT IMPROVEMENT</b> (Enhanced Product)

**Machine Model (s):** Ohio DE Series Locomotive Cranes

**Serial Numbers:** Prior to s/n 5040

**Summary:** Retainer Plate will hold the Shaft Key in place.

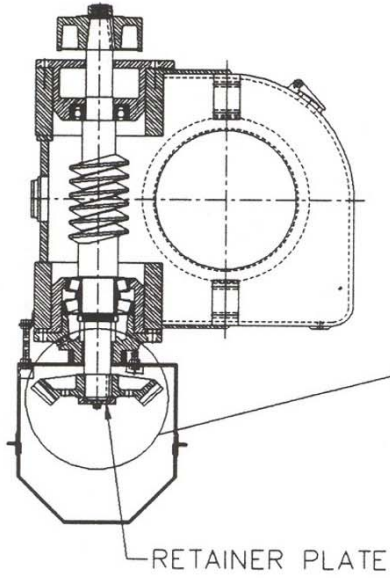
Retainer Plate (121071) secures Key in place with mounting hardware. 2 ea. Bolt (001016), 2 ea. Washer 9001000 & 2 ea. Nut (020093)

**Operational Impact:**

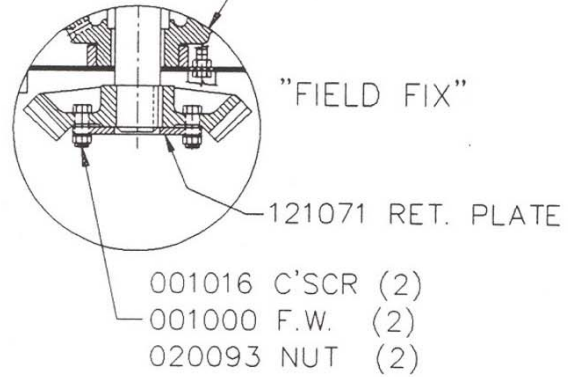
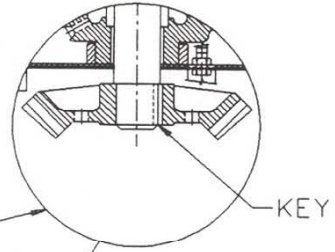
- The Miter Gear is secured with a key and a press fit on the Shaft.
- It is possible for the key to work loose over time and fall out. This permits the Gear & Worm Shaft to turn freely and independent of each other. In this instance, with the automatic brake release, the Boom may lower when the brake is released.
- This repair kit eliminates the Key from dropping down.

BOOM HOIST WORM SHAFT ASSY

CURRENT DESIGN



ON CRANES BUILT PRIOR TO S/N 5040 -- THE RETAINER PLATE MAY NOT EXIST



- 001016 C'SCR (2)
- 001000 F.W. (2)
- 020093 NUT (2)